

THE THERAPY RESISTANCE W

APPENDIX I

TOPOGRAPHICAL SUMMARY OF THE BACH FLOWER BODY MAPS

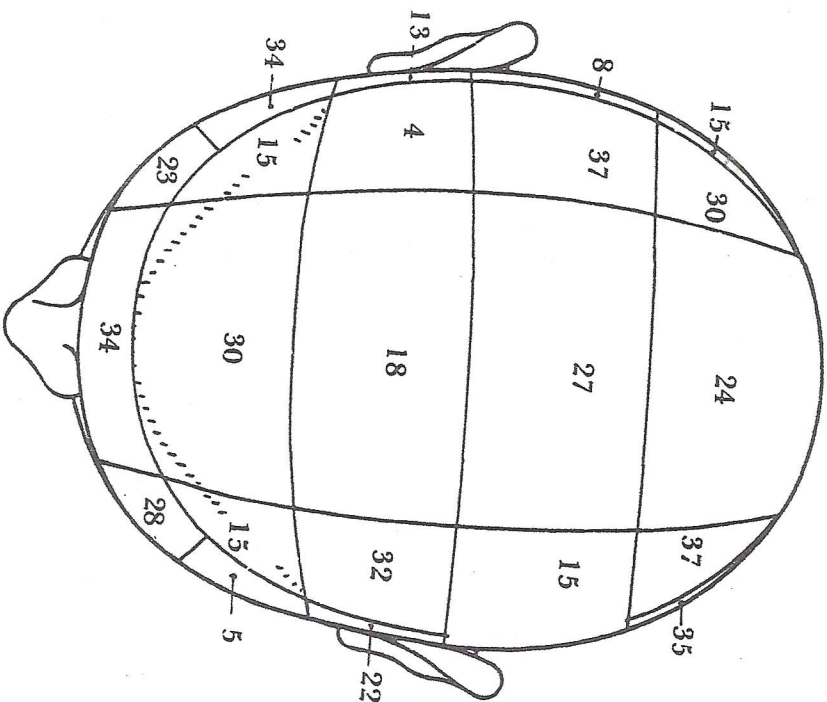
The following illustrations show each skin zone keyed by number to its appropriate Bach Flower remedy. The remedies are listed below in alphabetical order.

- | | |
|-----------------|-----------------------|
| 1. Agrimony | 20. Mimulus |
| 2. Aspen | 21. Mustard |
| 3. Beech | 22. Oak |
| 4. Centaury | 23. Olive |
| 5. Cerato | 24. Pine |
| 6. Cherry Plum | 25. Red Chestnut |
| 7. Chestnut Bud | 26. Rock Rose |
| 8. Chicory | 27. Rock Water |
| 9. Clematis | 28. Scleranthus |
| 10. Crab Apple | 29. Star of Bethlehem |
| 11. Elm | 30. Sweet Chestnut |
| 12. Gentian | 31. Vervain |
| 13. Gorse | 32. Vine |
| 14. Heather | 33. Walnut |
| 15. Holly | 34. Water Violet |
| 16. Honeysuckle | 35. White Chestnut |
| 17. Hornbeam | 36. Wild Oat |
| 18. Impatiens | 37. Wild Rose |
| 19. Larch | 38. Willow |

TOPOGRAPHICAL SUMMARY OF THE BACH FLOWER BODY MAPS

HEAD

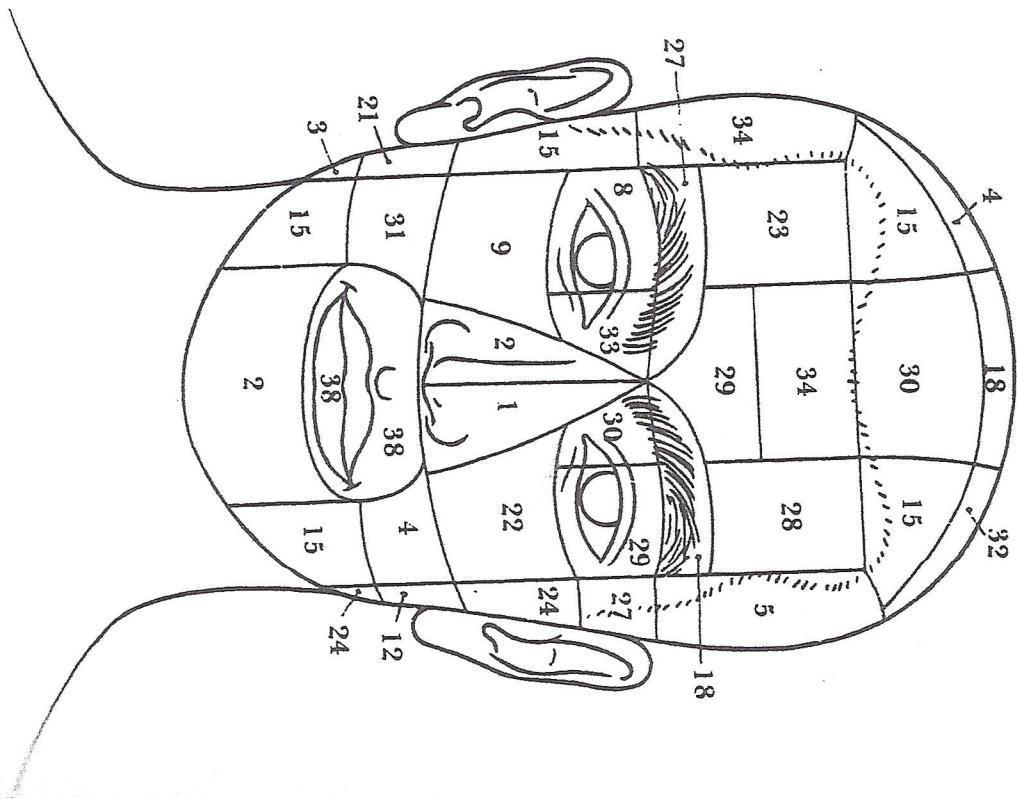
TOP



NEW BACH FLOWER BODY MAPS

HEAD

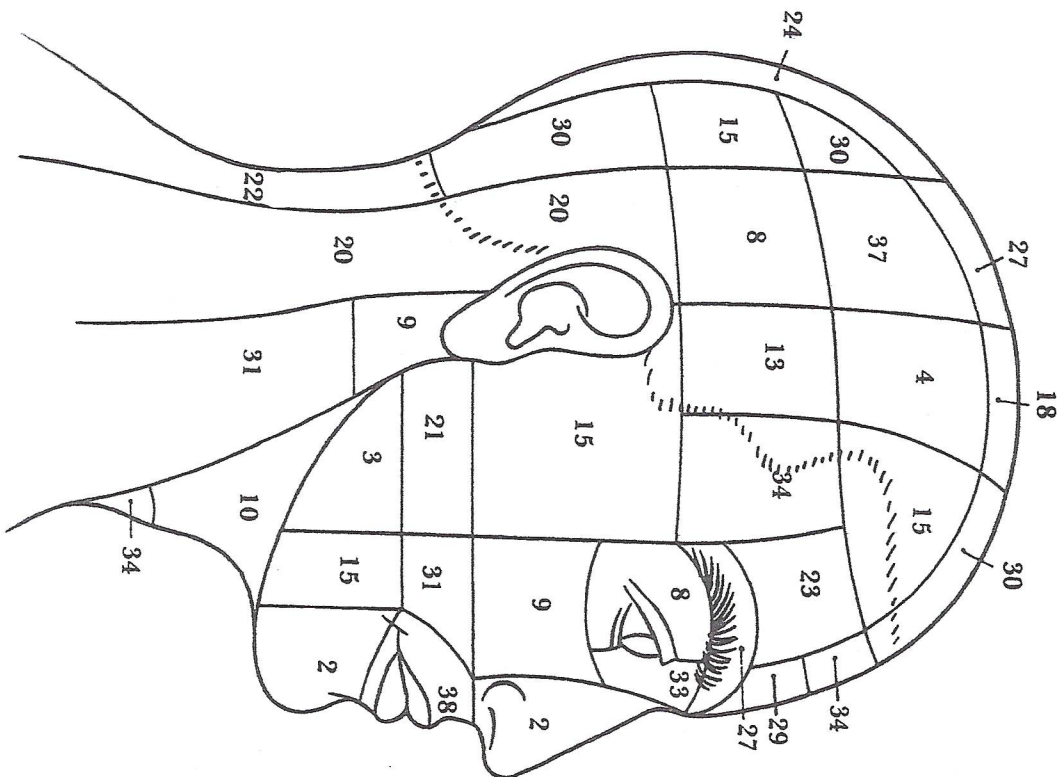
ANTERIOR

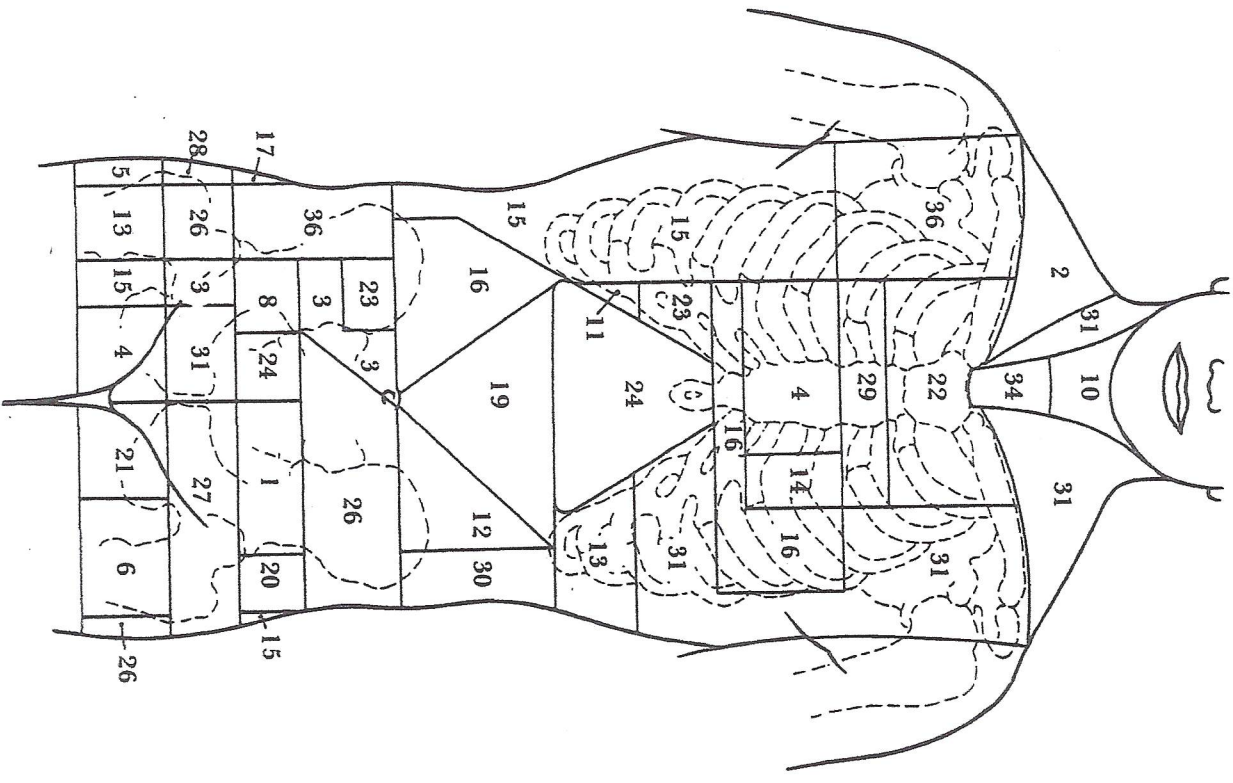
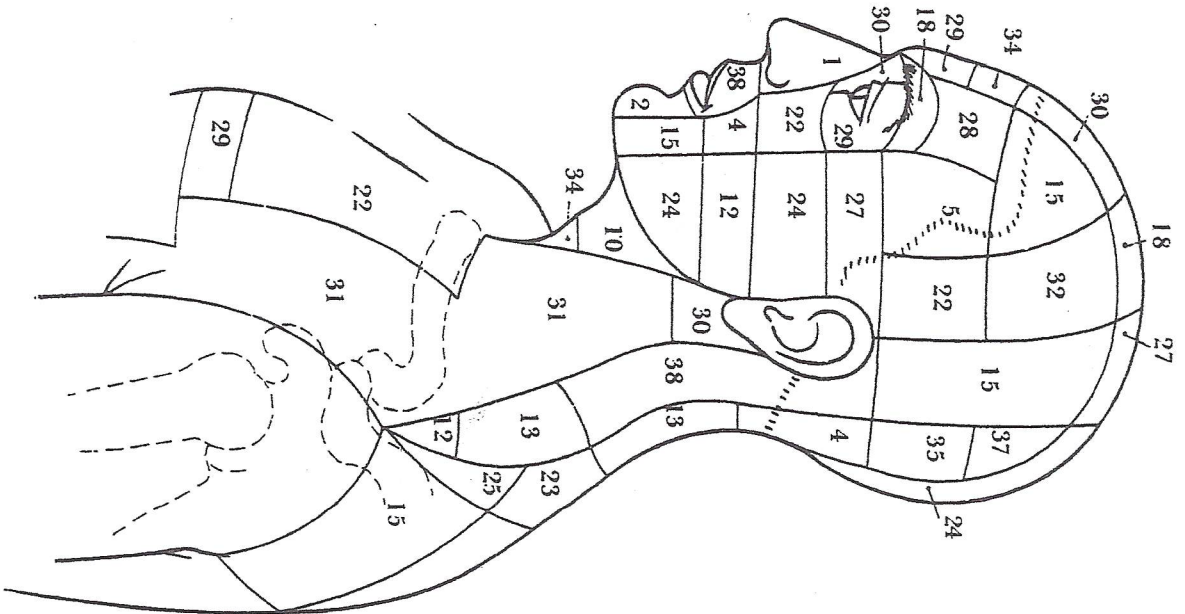


TOPOGRAPHICAL SUMMARY OF THE BACH FLOWER BODY MAPS

HEAD

RIGHT SIDE

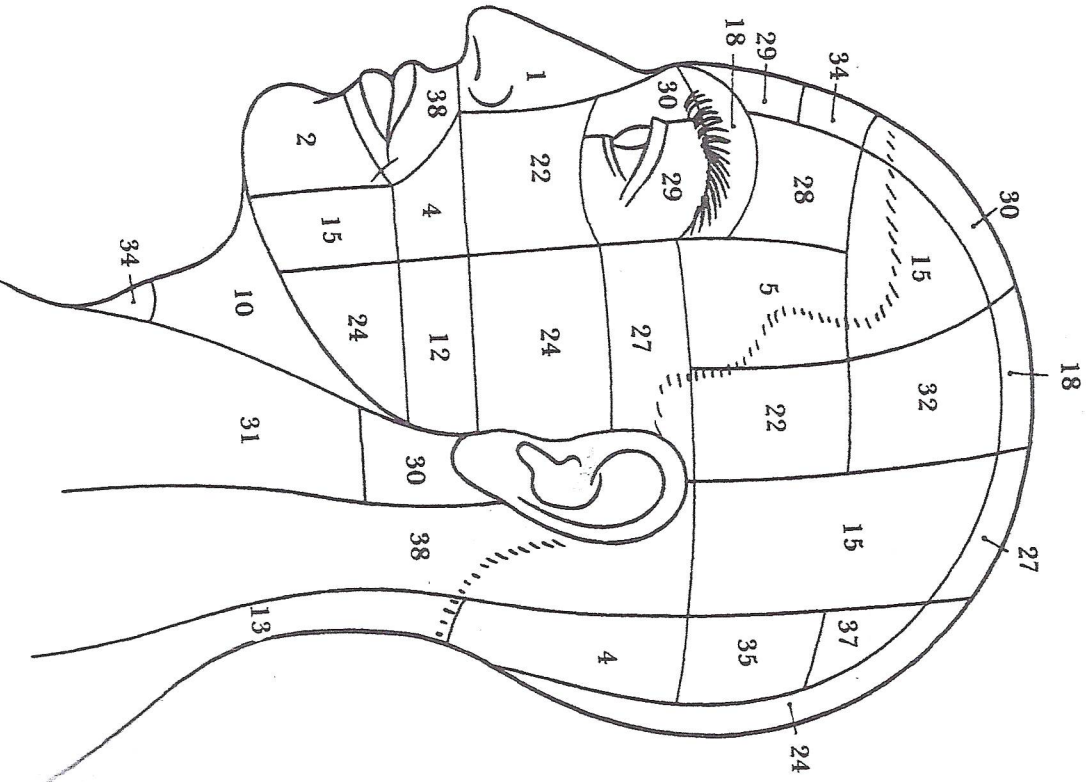




NEW BACH FLOWER BODY MAPS

HEAD

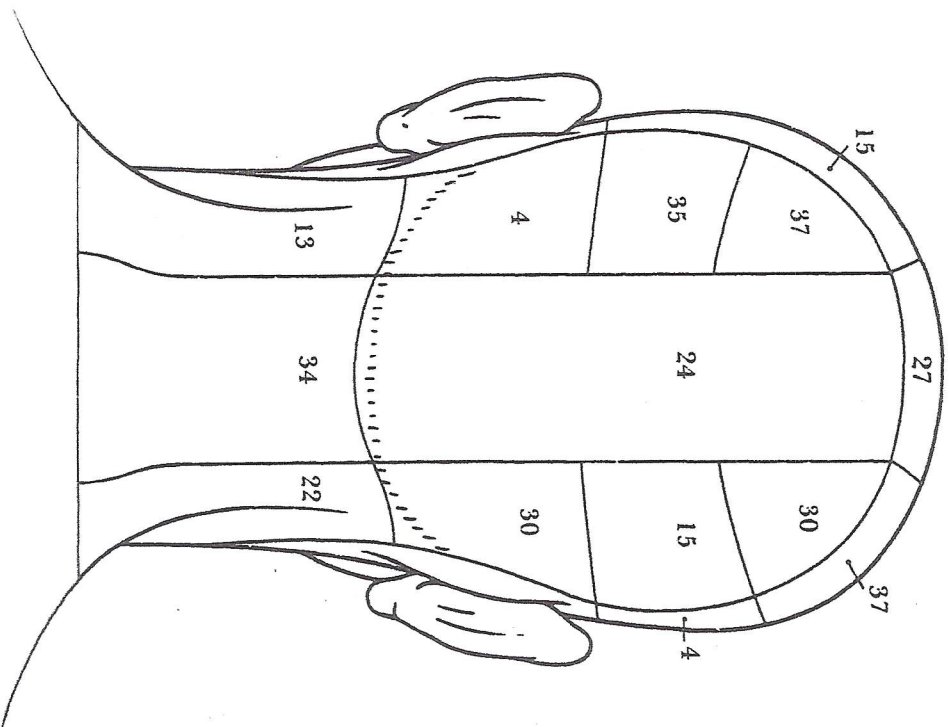
LEFT SIDE



TOPOGRAPHICAL SUMMARY OF THE BACH FLOWER BODY MAPS

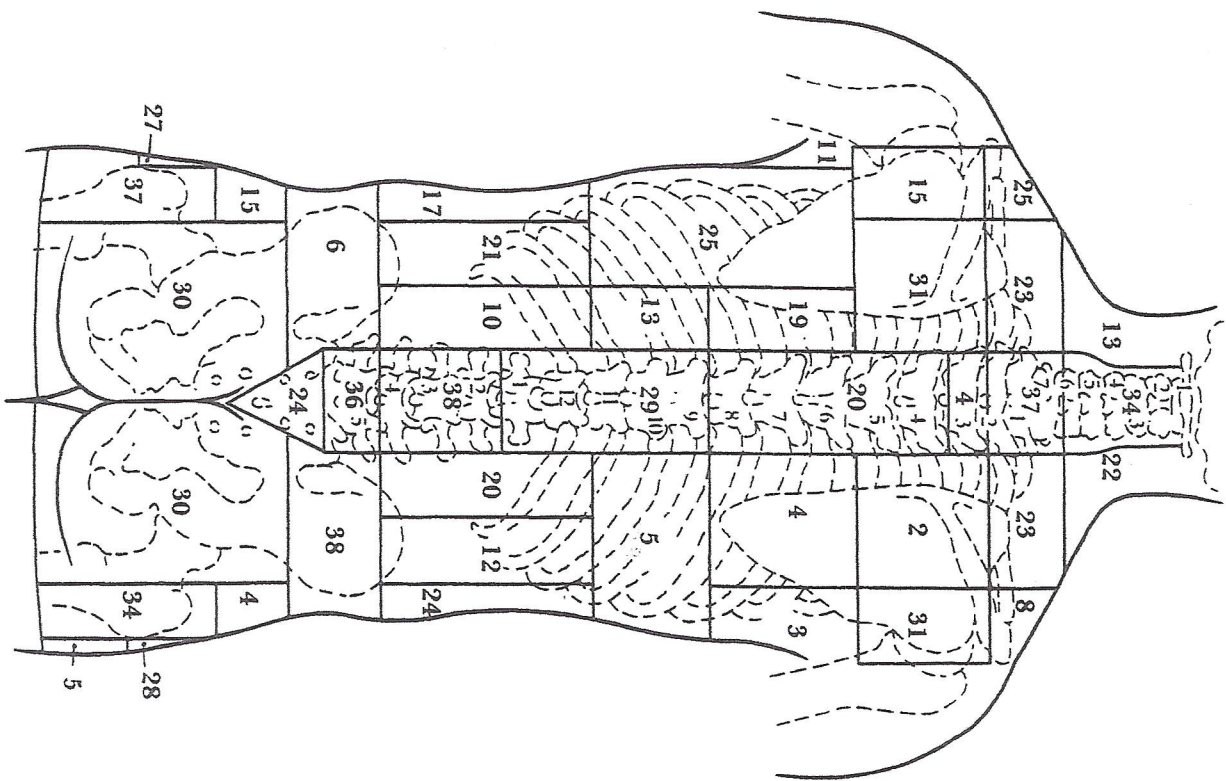
HEAD

POSTERIOR



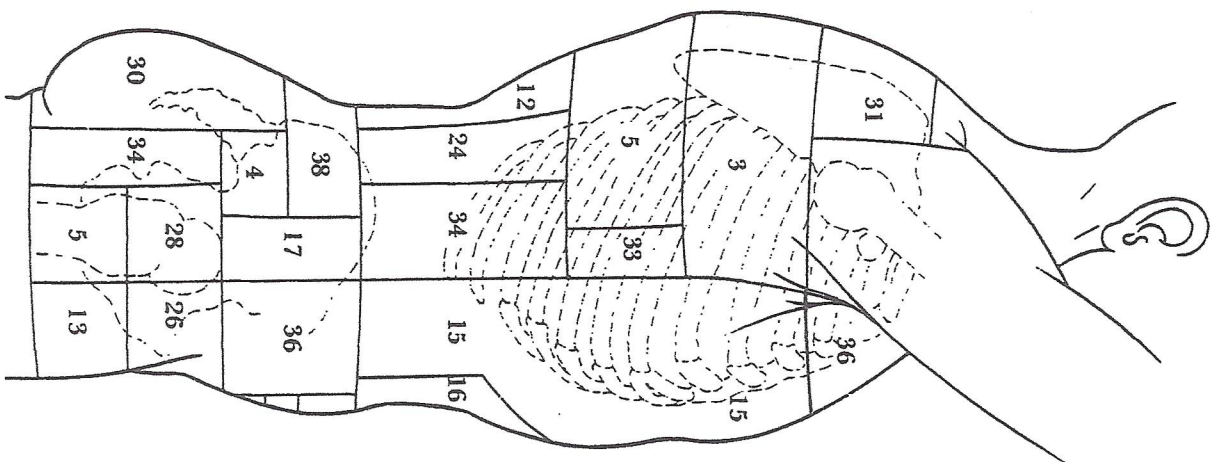
TRUNK

POSTERIOR



TRUNK

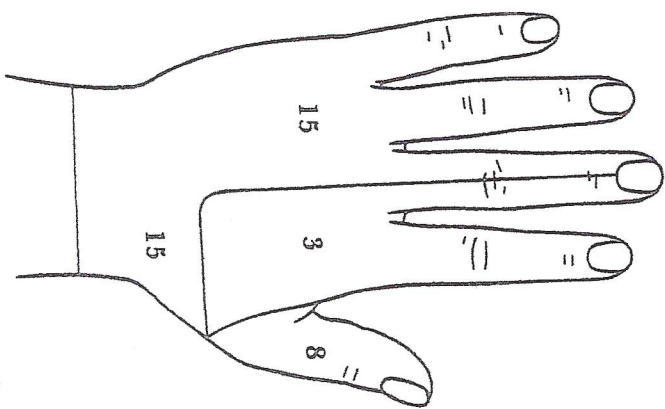
RIGHT SIDE



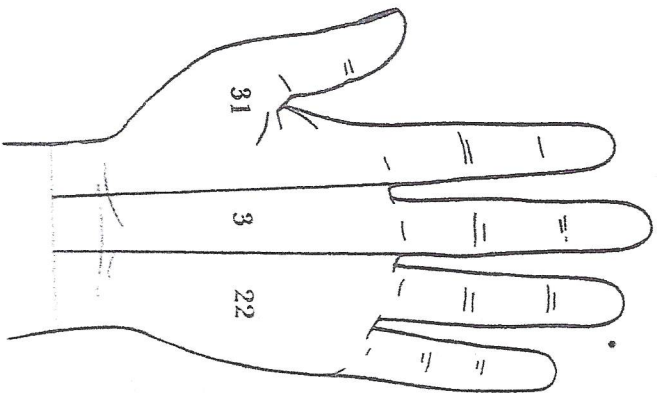
NEW BACH FLOWER BODY MAPS

LEFT HAND

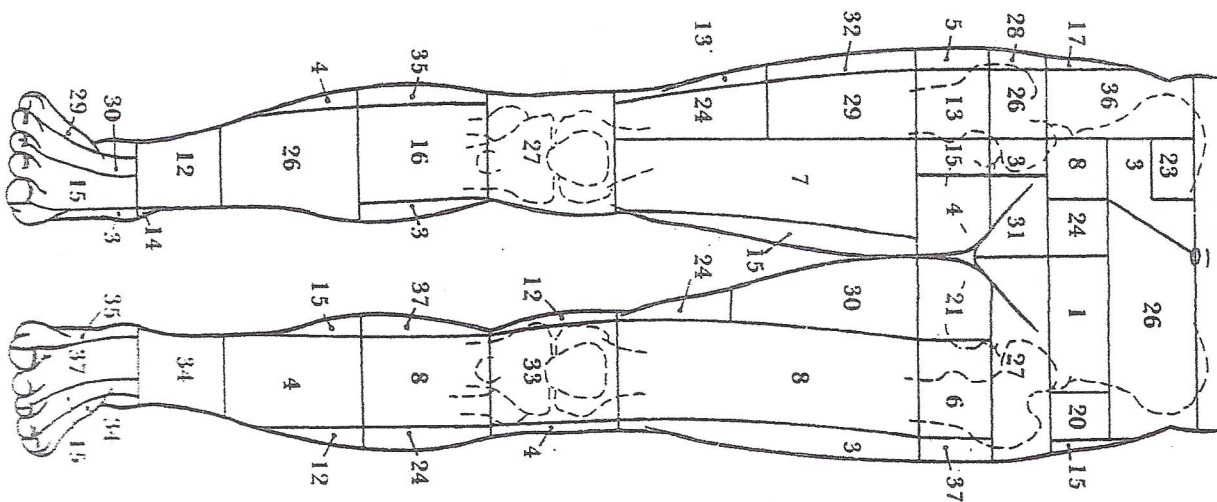
POSTERIOR



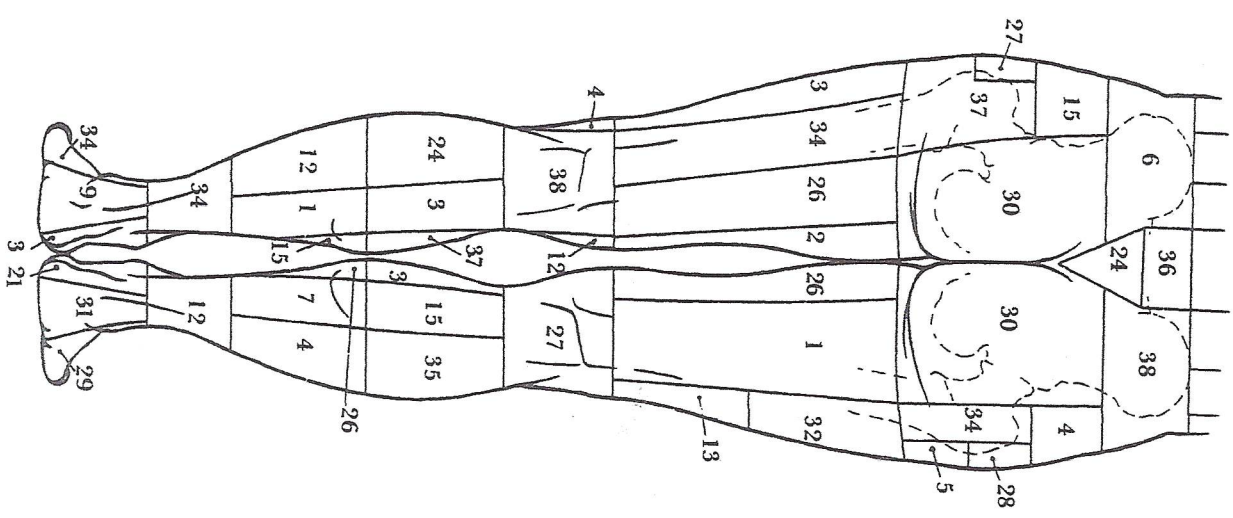
ANTERIOR



ANTERIOR

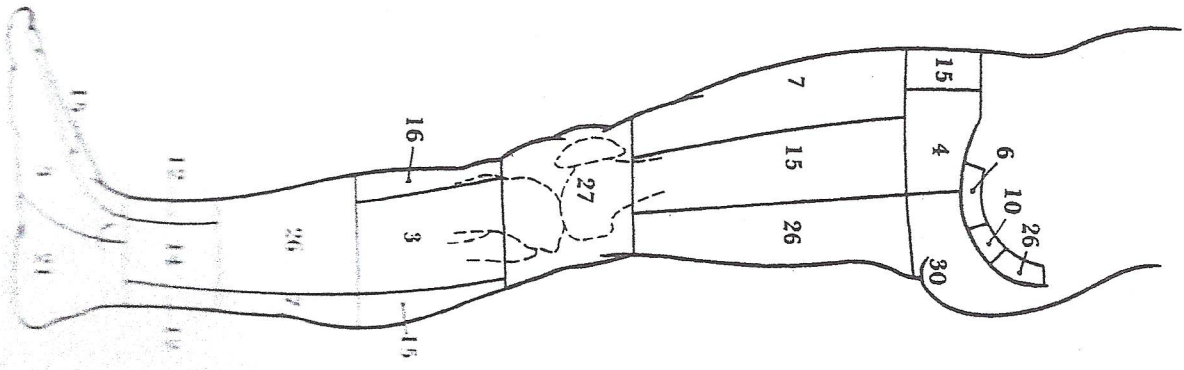
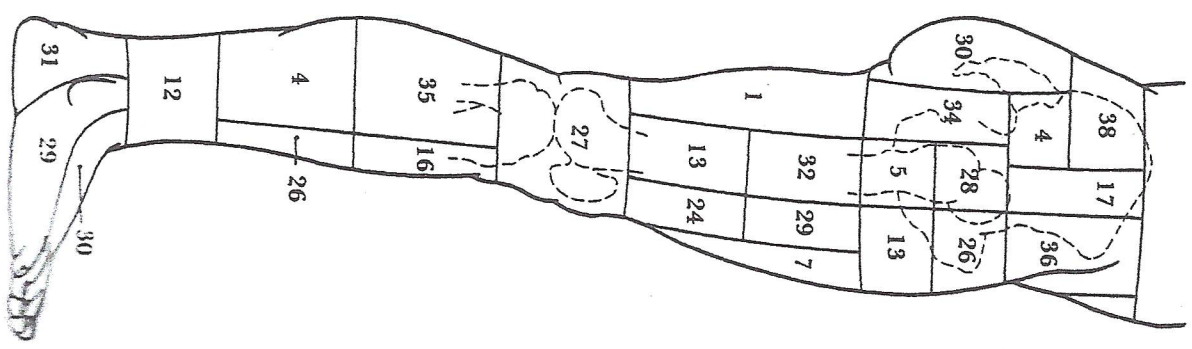


POSTERIOR



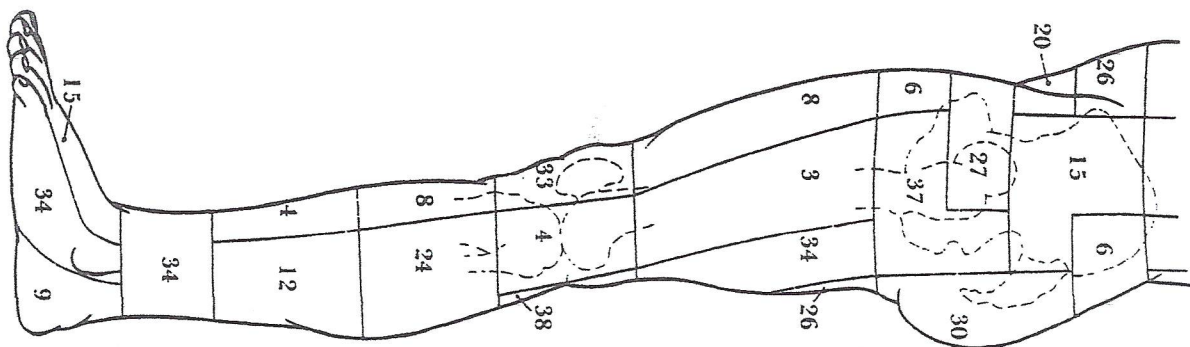
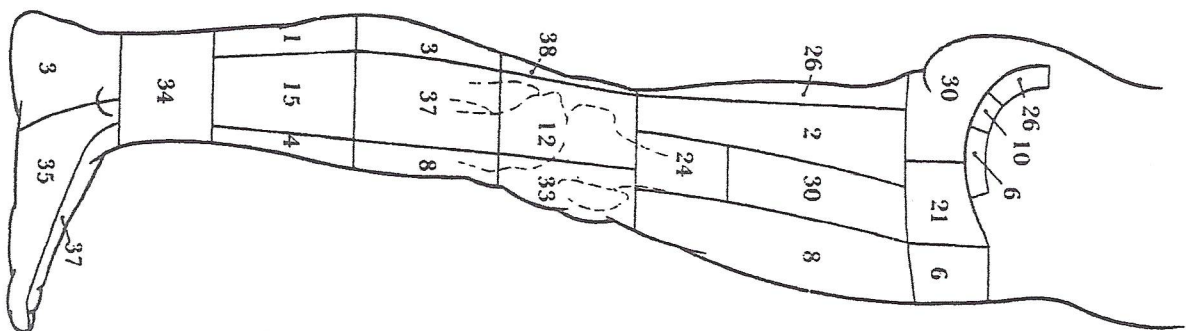
OUTSIDE

INSIDE

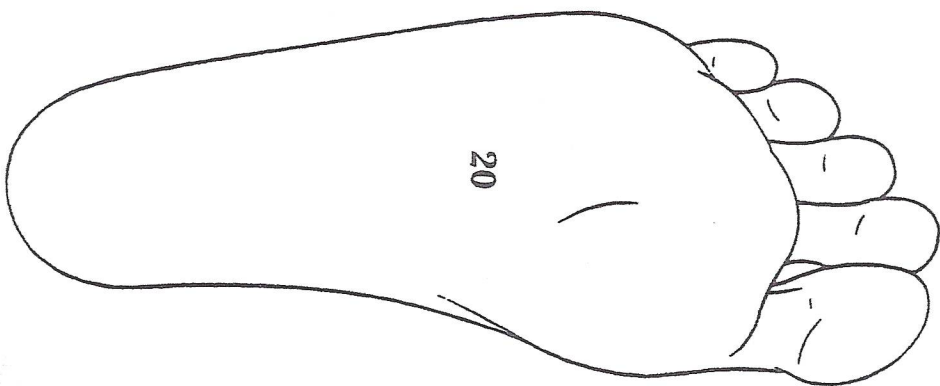


INSIDE

OUTSIDE



RIGHT

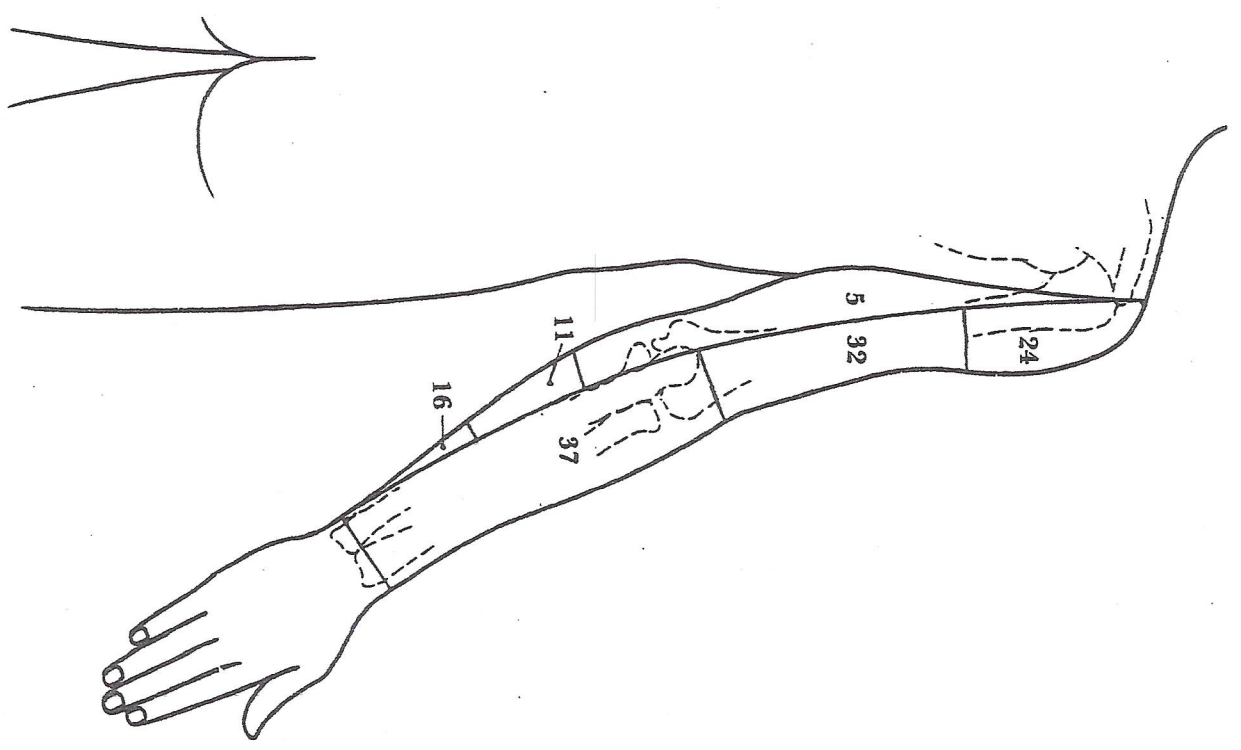
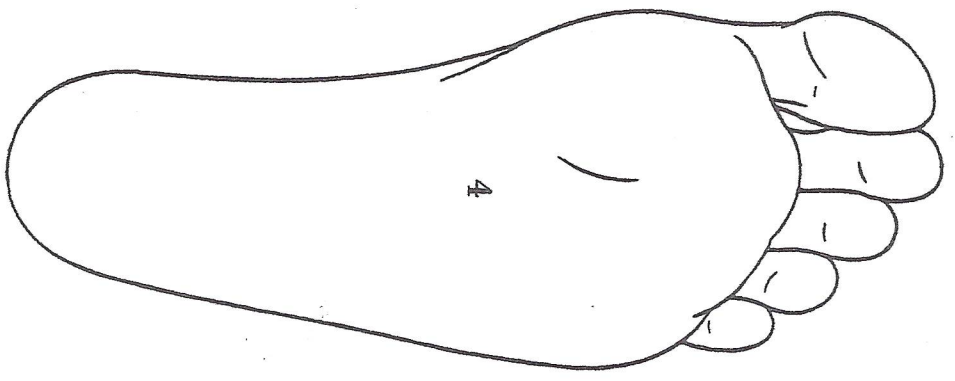


SOLE OF THE FOOT

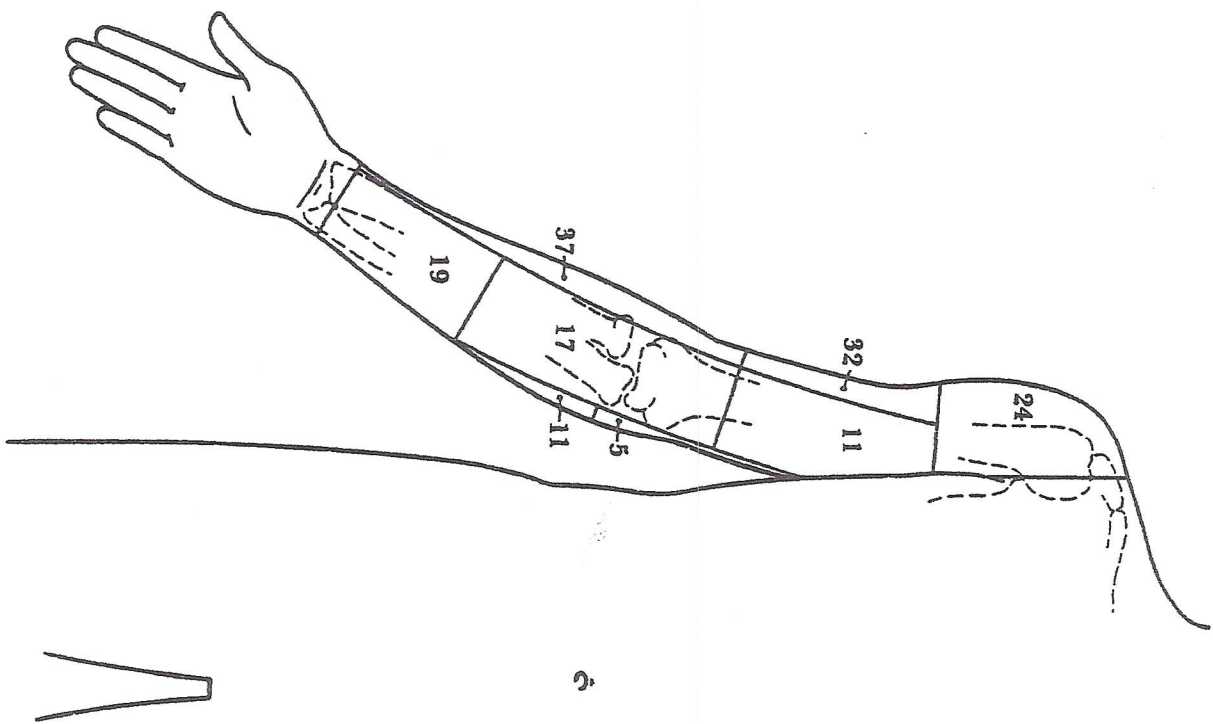
RIGHT ARM

LEFT

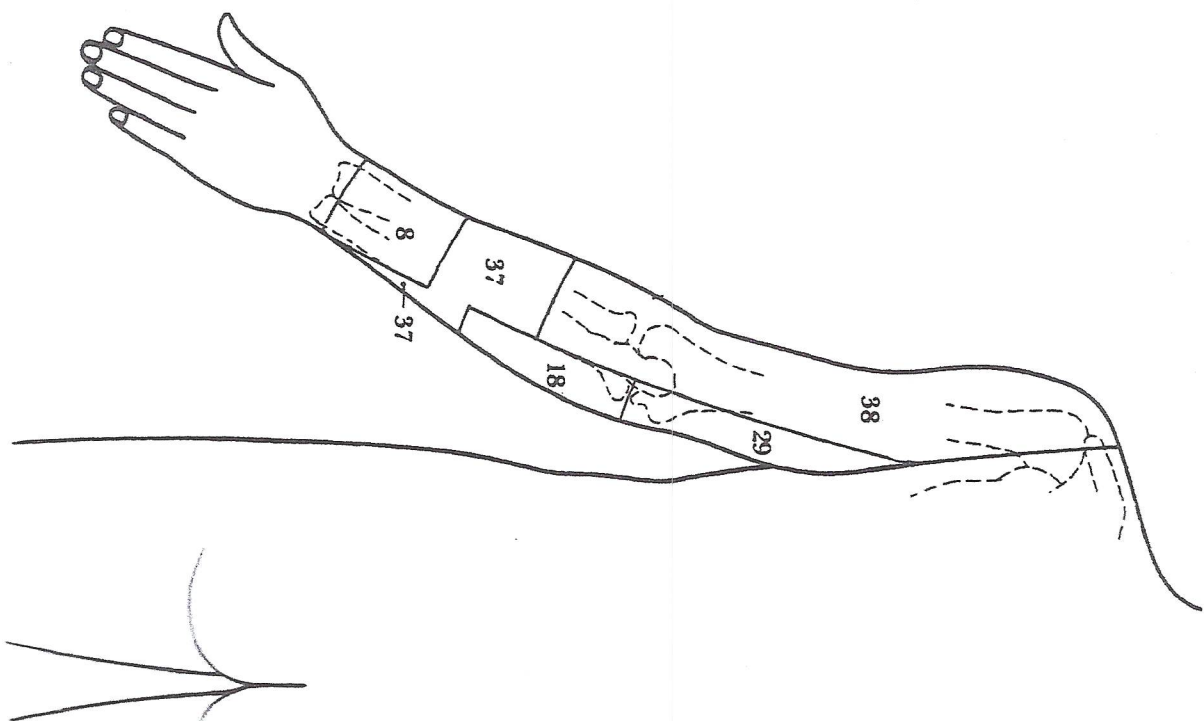
FROM BEHIND



FROM THE FRONT

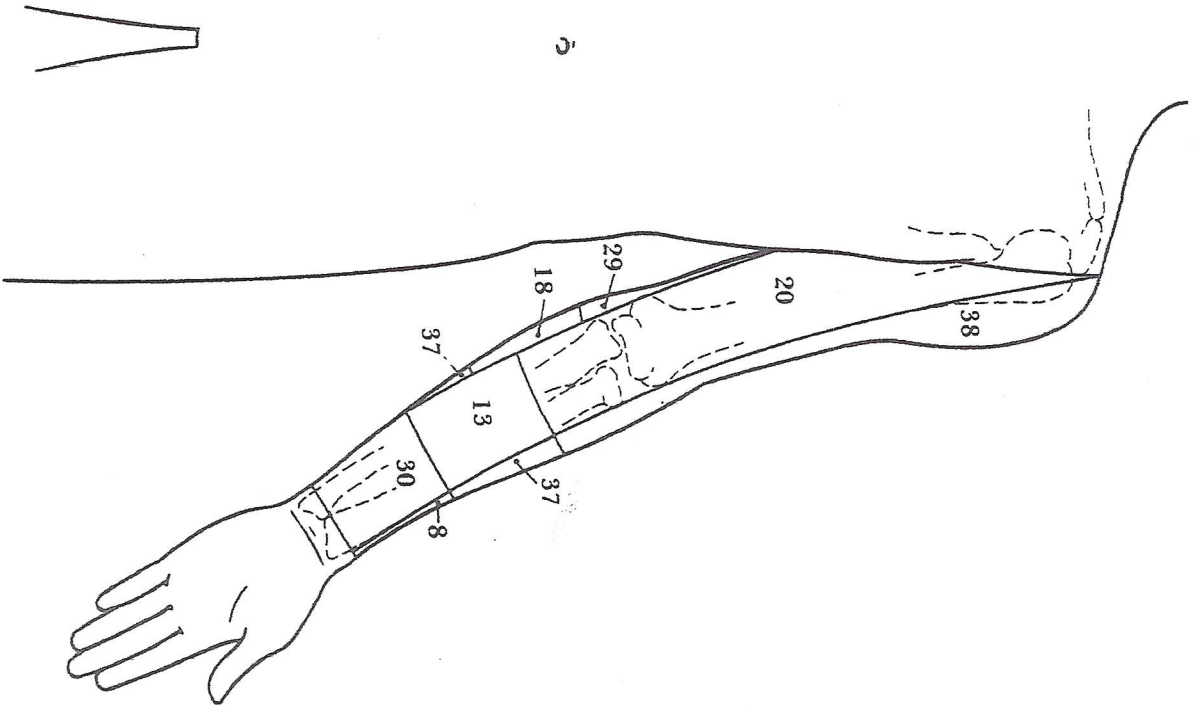


FROM BEHIND



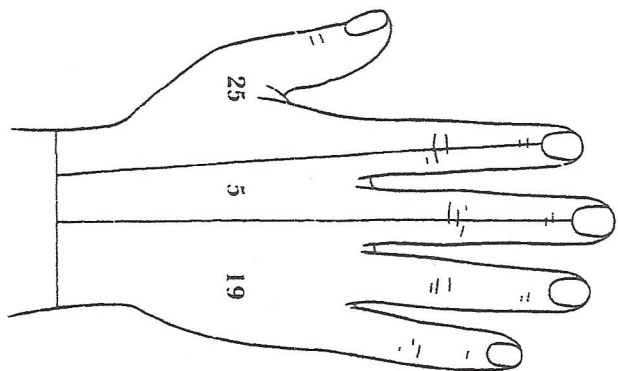
LEFT ARM

FROM THE FRONT

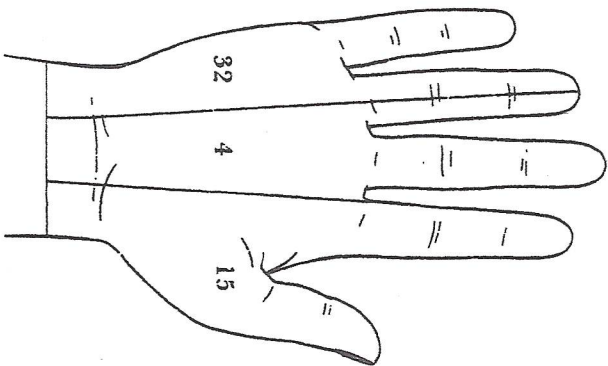


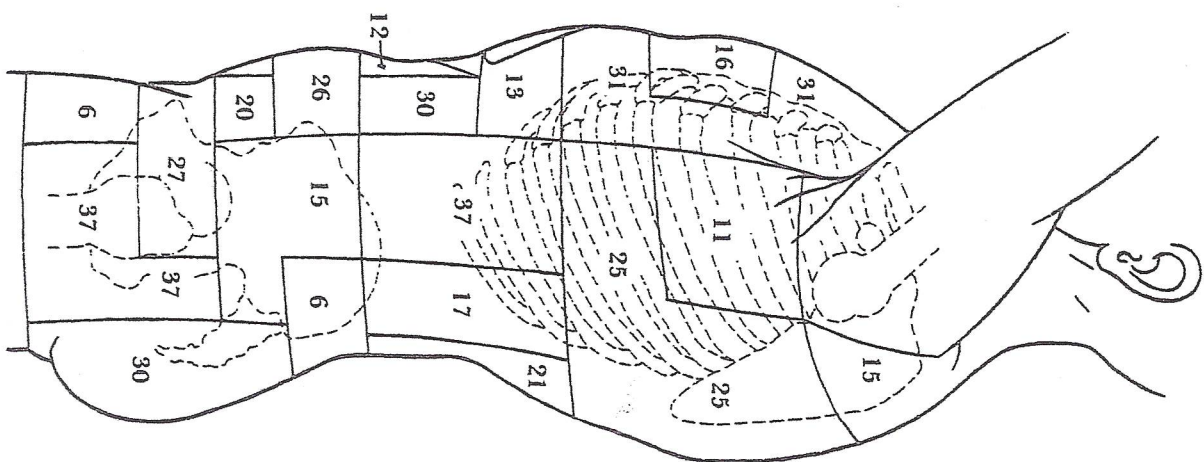
RIGHT HAND

POSTERIOR



ANTERIOR





THEAPY RESISTANCE W

APPENDIX I

TOPOGRAPHICAL SUMMARY OF THE BACH FLOWER BODY MAPS

The following illustrations show each skin zone keyed by number. The appropriate Bach Flower remedy. The remedies are listed below in alphabetical order:

- | | |
|-----------------|-----------------------|
| 1. Agrimony | 20. Mimulus |
| 2. Aspen | 21. Mustard |
| 3. Beech | 22. Oak |
| 4. Centaury | 23. Olive |
| 5. Cerato | 24. Pine |
| 6. Cherry Plum | 25. Red Chestnut |
| 7. Chestnut Bud | 26. Rock Rose |
| 8. Chicory | 27. Rock Water |
| 9. Clematis | 28. Scleranthus |
| 10. Crab Apple | 29. Star of Bethlehem |
| 11. Elm | 30. Sweet Chestnut |
| 12. Gentian | 31. Vervain |
| 13. Gorse | 32. Vine |
| 14. Heather | 33. Walnut |
| 15. Holly | 34. Water Violet |
| 16. Honeysuckle | 35. White Chestnut |
| 17. Hornbeam | 36. Wild Oat |
| 18. Impatiens | 37. Wild Rose |
| 19. Larch | 38. Willow |

This topographical summary is available as a wall chart from:
 D. Mönke Verlag, Dohleweg, 16, D-40664 Meerbusch
 Phone: (02154) 1212